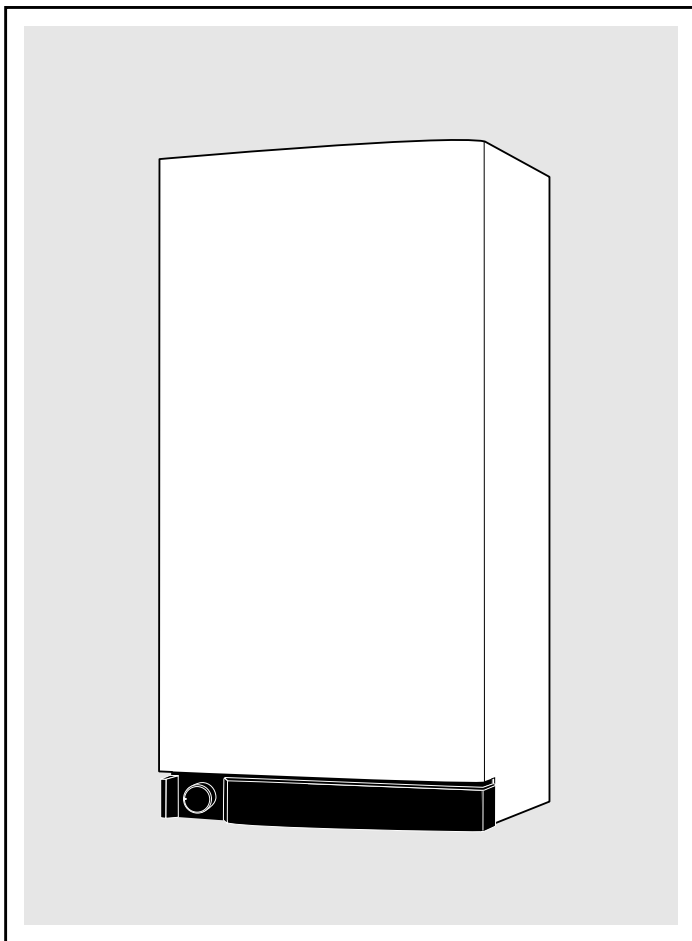


# HOT WATER CYLINDER

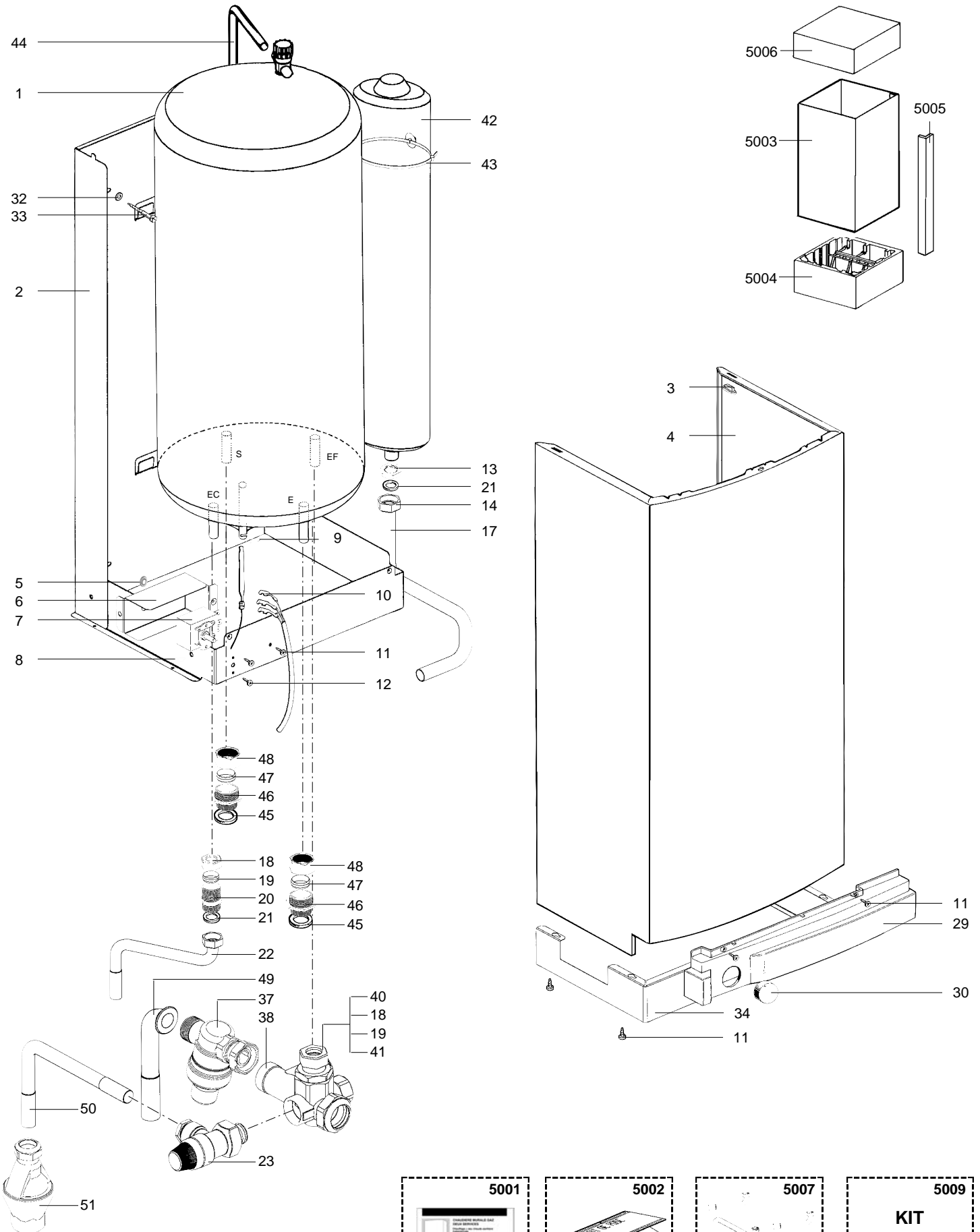
## DUO 55



DUO 55

SUMMARY WITH APPLIANCE REFERENCE : PAGE 130

# DUO 55



**D** DUO 55

