



CHAFFOTEAUX & MAURY

SPARE PARTS LIST
UNVENTED CYLINDER

Model

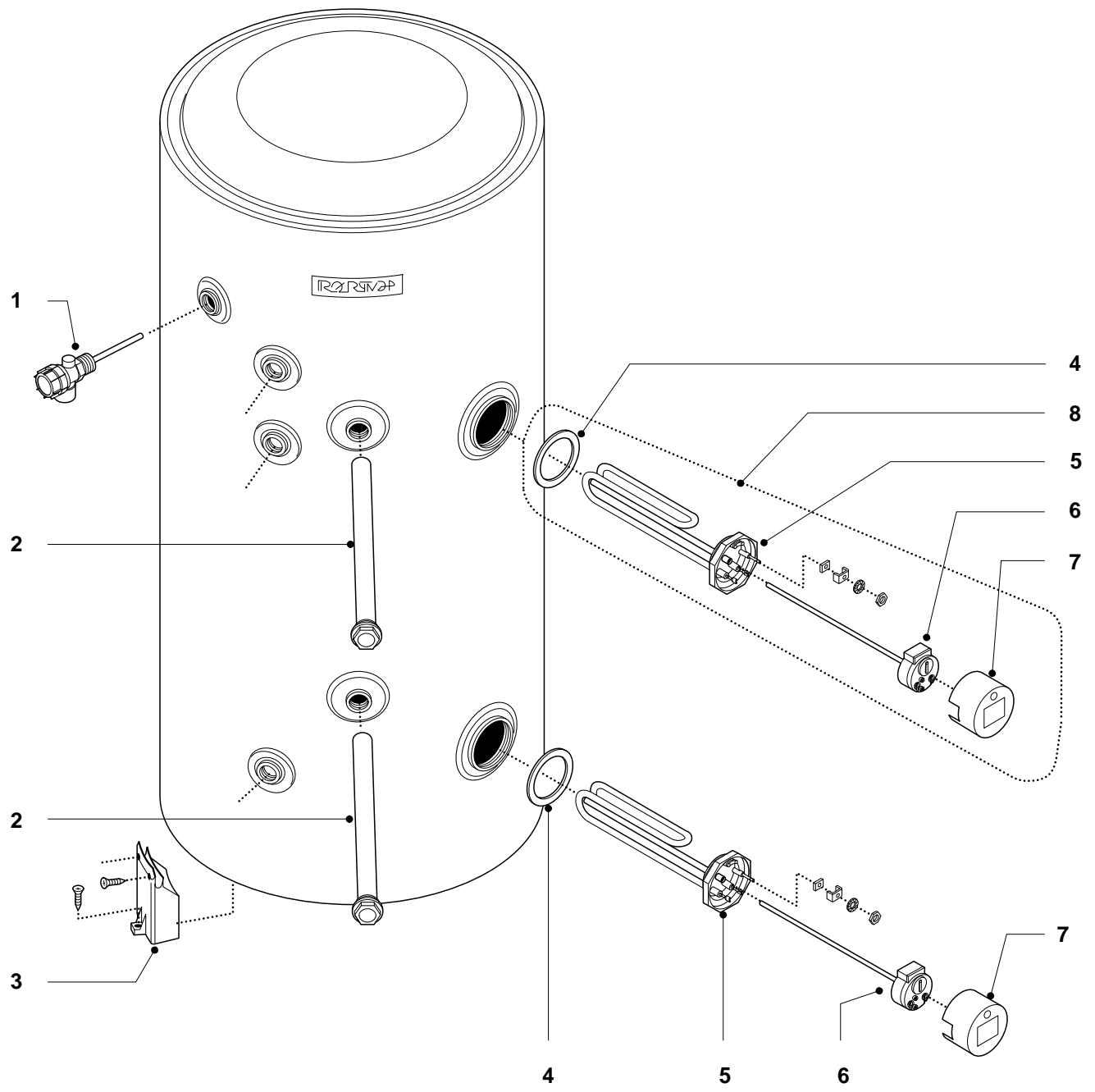
HYDRAFLO STD 300 DIRECT

Edition 2 of 3 June 1999



Addo to Edition 1

ER1999305006402.001



ER1999305006402 001

MODEL	CODE	SERIAL NO. VALIDITY	REF.
HYDRAFLO STD 300 DIRECT	890352	00000000890352	A

PART.	CODE	DESCRIPTION	REF.	NOTE
1	969046	Temperature + pressure relief valve (1/2")		
2	919054	Anode D.26 x 370 + union 1" male		
3	926136	Foot (100mm)		
4	924087	Gasket (heating element)		
5	816544	Element RE UK 143 3 kW 240 V		
6	691218	Thermostat (TBS 300)		
7	935182	Element cap		
8	935191	Element kit 2"1/4		11

NOTE	DESCRIPTION
11	Thermostat+element+gasket assembly