



CHAFFOTEAUX & MAURY

SPARE PARTS EXPLODED VIEW
UNVENTED CYLINDER

Models

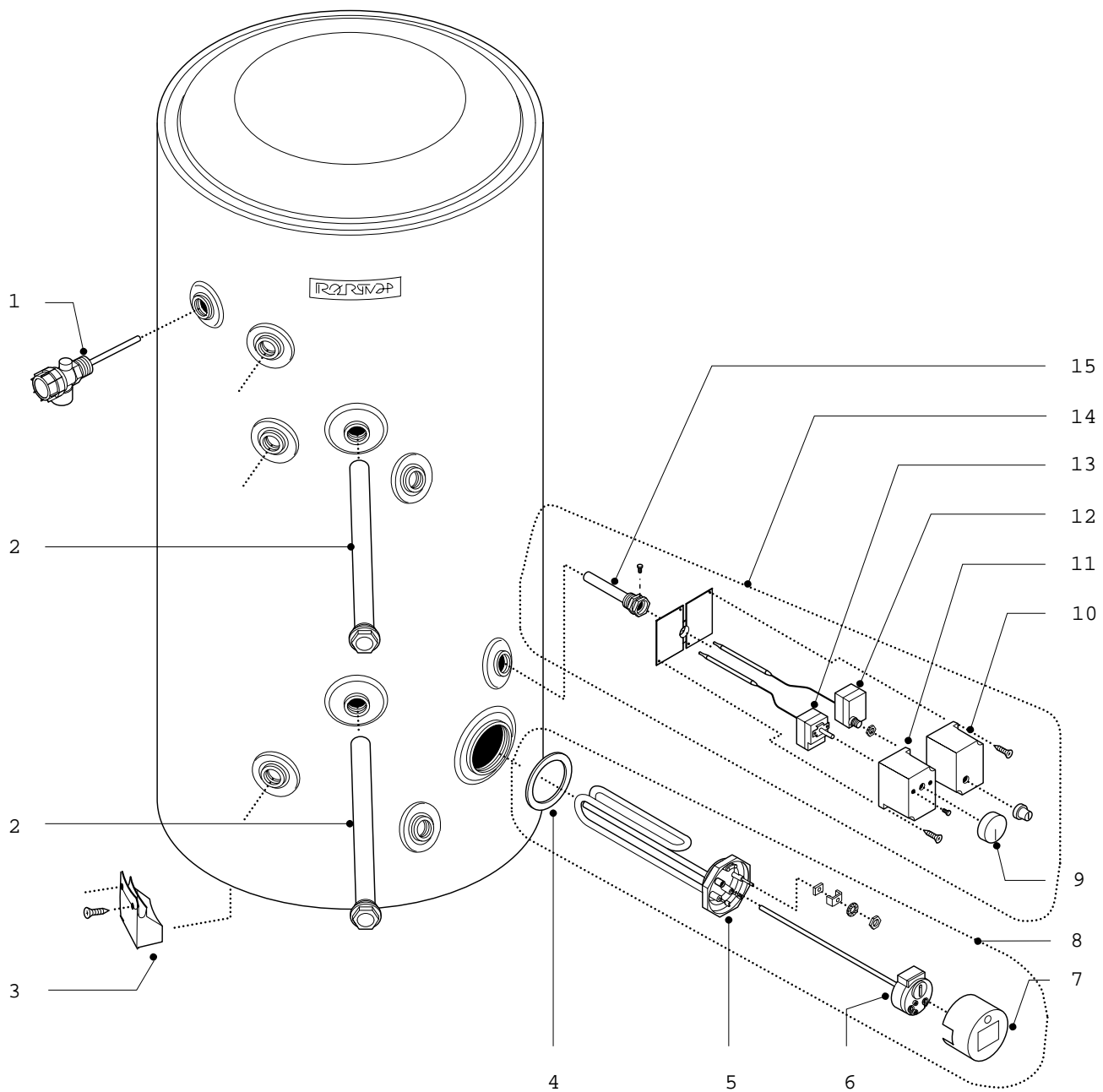
HYDRAFLO STI 150 INDIRECT
HYDRAFLO STI 210 INDIRECT

Edition 3 of 24 August 2001



Addo to Edition 2

ER2001305002703001



ER2001305002703001

MODELS	CODE	SERIAL NO. VALIDITY	REF.
HYDRAFLO STI 150 INDIRECT	890500	01000000890500	A
HYDRAFLO STI 210 INDIRECT	890501	01000000890501	B

PART.	CODE	DESCRIPTION	REF.	NOTE
1	969046	Temperature + pressure relief valve (1/2")		
2	919054	Anode D.26 x 370 + union 1" male		
3	926348	Foot		
4	924087	Gasket (heating element)		
5	816544	Element RE UK 143 3 kW 240 V		
6	691218	Thermostat (TBS 300)		
7	935182	Element cap		
8	935191	Element kit 2"1/4		11
9	935188	Regulation knob		
10	935187	Cover (thermal cut-out)		
11	935186	Cover (regulation thermostat)		
12	935185	Thermal cut-out (indirect)		
13	935184	Regulation thermostat (indirect)		
14	921046	Thermostat kit (cut-out + regulation)		
15	935183	Thermostat pocket (1/2" L.110)		

NOTE	DESCRIPTION
11	Thermostat+element+gasket+protection assembly